



The Pump for any application!

Alfa Laval i-CP2000 Centrifugal Pump

Applications

The Alfa Laval i-CP2000 pump is a highly efficient and economical centrifugal pump, which meets the requirements of sanitary and gentle product treatment and chemical resistance. The pump is available in six sizes, Alfa Laval i-CP2010, -20, -25, -35, -40, -50.

Standard design

The Alfa Laval i-CP2000 pump consists of a standard motor, stub shaft, mechanical compression coupling, adaptor, back plate, impeller, pump casing and shaft seal. The pump is designed for CIP with emphasis on large internal radii and easily cleanable seals. The pump has a stainless steel shroud for protection of the motor, and the complete unit is supported on four adjustable legs.

Shaft seals

The Alfa Laval i-CP2000 pump is equipped with an external single or double mechanical shaft seal. All have stationary seal rings in acid resistant steel AISI 316L with sealing surfaces in silicon carbide and rotating seal rings in carbon (optional silicon carbide). Flushed seal is equipped a secondary lip seal. Double mechanical seal is equipped with a secondary mechanical seal.

Materials

Product wetted steel parts: AISI 316L.
 Other steel parts: AISI 304, surface treated carbon steel.
 Finish: Semi bright.
 Product wetted seals: EPDM elastomer (FDA).

Technical data

Max. inlet pressure: 500kPa (5 bar).
 Temperature range: -10°C to +140°C (EPDM).

Double mechanical shaft seal:

Water pressure inlet: Max. 500 kPa (5 bar).
 Water consumption: 0.25 -0.5 l/min.
 Temperature range 0°C to +140°C

Connections for DMSS:

R 1/8" (BSP) external thread.



The Alfa Laval i-CP2000 pump is designed, tested and approved according to EHEDG guidelines



Alfa Laval i-CP2010

Motor

Foot-flanged motor according to the IEC metric standard, 2 poles = 3000/3600 rpm at 50/60 Hz, IP 55 (with drain hole with labyrinth plug), insulation class F.

Voltage and frequency

3 ~, 50 Hz, 220-240V Δ/380-420VY	≤ 4 kW
3 ~, 60 Hz, 250-280V Δ/440-480VY	≤ 4.6 kW
3 ~, 50 Hz, 380-420V Δ/660-690VY	≥ 5.5 kW
3 ~, 60 Hz, 440-480V Δ	≥ 6.4 kW

Motor sizes

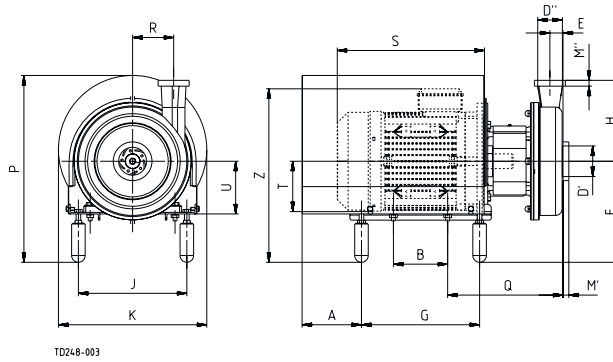
50 Hz: 1.5 - 2.2 - 3 - 4 - 5.5 - 7.5 - 11 - 15 - 18.5 - 22 kW.

60 Hz: 1.75 - 2.5 - 3.5 - 4.6 - 6.4 - 8.6 - 12.5 - 17 - 21 - 25 kW.

Warranty

Extended 3-years warranty on Alfa Laval i-CP2000 pumps. The warranty covers all non wear parts on the condition that genuine Alfa Laval Spare Parts are used.

Dimensions (mm)



TD248-003

Alfa Laval i-CP2010

	Motor			
	1.5 kw	2.2 kw	3 kw	4 kw
A	85	85	104	92
B	100	125	140	140
C	157	157	160	162
E	23	23	23	23
F min.	195	195	217	217
F max.	210	210	232	232
G	302	302	290	300
H	142	142	142	142
J	177	177	228	227
K	288	288	323	359
P min.	362	362	394	436
P max.	377	377	409	451
Q	215	215	235	242
R	87	87	87	87
S	260	285	308	335
T	90	90	100	112
U	93	93	115	115
Z min.	340	340	369	397
Z max.	355	355	384	412
Weight (kg)	36	39	47	57

Alfa Laval i-CP2025

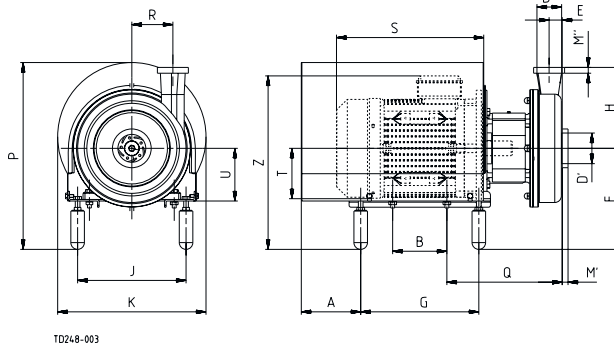
	Motor	
	5.5/7.5 kw	11/15 kw
A	158	179
B	140	210
C	216	240
E	32	32
F min.	237	265
F max.	252	280
G	305	419
H	193	193
J	277	327
K	383	485
P min.	459	552
P max.	474	567
Q	298	345
R	106	106
S	356	530
T	132	160
U	135	163
Z min.	430	495
Z max.	445	510
Weight (kg)	81	125/134

Alfa Laval i-CP2020

	Motor				
	1.5 kw	2.2 kw	3 kw	4 kw	5.5/7.5 kw
A	85	85	104	92	158
B	100	125	140	140	140
C	169	169	172	174	210
E	27	27	27	27	27
F min.	195	195	217	217	237
F max.	210	210	232	232	252
G	302	302	290	300	305
H	180	180	180	180	180
J	177	177	228	227	277
K	288	288	323	359	383
P min.	362	362	394	436	459
P max.	377	377	409	451	474
Q	227	227	247	254	292
R	88	88	88	88	88
S	260	285	308	335	356
T	90	90	100	112	132
U	93	93	115	115	135
Z	340	340	369	397	430
Z	355	355	384	412	445
Weight (kg)	38	41	49	59	77

Alfa Laval i-CP2035

	Motor		
	4 kw	5.5/7.5 kw	11/15 kw
A	92	158	179
B	140	140	210
C	165	201	225
E	23	23	23
F min.	217	237	265
F max.	232	252	280
G	300	305	419
H	193	193	193
J	227	277	327
K	359	383	485
P min.	436	459	552
P max.	451	474	567
Q	245	283	330
R	119	119	119
S	335	356	530
T	112	132	160
U	115	135	163
Z min.	397	430	495
Z max.	412	445	510
Weight (kg)	63	81	125/134



Alfa Laval i-CP2040

	Motor			
	7.5 kw	11/15 kw	18.5 kw	22 kw
A	158	179	179	171
B	140	210	254	241
C	211	236	216	166
E	28	28	28	28
F min.	237	265	265	297
F max.	252	280	280	324
G	305	419	419	515
H	212	212	212	212
J	277	327	327	390
K	383	485	485	520
P min.	459	552	552	593
P max.	474	567	567	620
Q	293	340	340	353
R	126	126	126	126
S	356	530	530	620
T	132	160	160	180
U	135	163	163	183
Z min.	430	495	495	557
Z max.	445	510	510	584
Weight (kg)	84	128/137	147	174

Alfa Laval i-CP2050

	Motor			
	5.5/7.5 kw	11/15 kw	18.5 kw	22 kw
A	158	179	179	171
B	140	210	254	241
C	224	248	229	128
E	35	35	35	35
F min.	237	265	265	297
F max.	252	280	280	324
G	305	419	419	515
H	205	205	205	205
J	277	327	327	390
K	383	485	485	520
P min.	459	552	552	593
P max.	474	567	567	620
Q	306	353	353	366
R	118	118	118	118
S	356	530	530	620
T	132	160	160	180
U	135	163	163	183
Z min.	430	495	495	557
Z max.	445	510	510	584
Weight (kg)	86	130/139	149	174

Connections (mm)

Alfa Laval i-CP2010, -20, -35

	DI 63.5	ISO	ISO	SMS	DIN
DII	51	Clamp 2037	Male	Male	Male
MI		21	21	24	25
MII		21	21	20	22

Alfa Laval i-CP2040

	DI 76.1	ISO	ISO	SMS	DIN
DII	63.5	Clamp 2037	Male	Male	Male
MI		21	21	24	30
MII		12	21	24	27

Alfa Laval i-CP2025

	DI 76.1	ISO	ISO	SMS	DIN
DII	63.5	Clamp 2037	Male	Male	Male
MI		21	21	24	30
MII		21	21	24	25

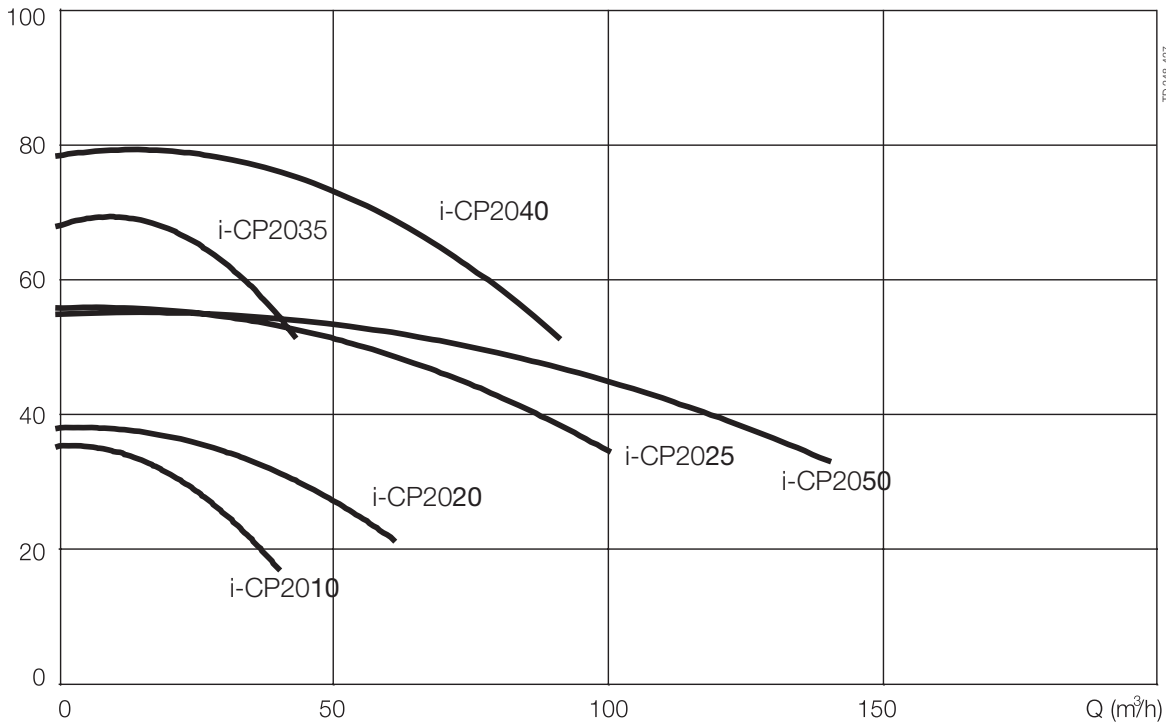
Alfa Laval i-CP2050

	DI 101.6	ISO	ISO	SMS	DIN
DII	76.1	Clamp 2037	Male	Male	Male
MI		21	21	35	30
MII		21	21	24	30

Flow chart

Frequency: 50 Hz Speed (synchr): 3000 rpm

H (m)



TD 248-427

Options

- A. Impeller with reduced diameter.
- B. 1500 rpm. motor.
- C. Double mechanical shaft seal.
- D. Surface roughness, product wetted parts: $R_a \leq 0.8 \mu\text{m}$.
- E. Product wetted seals of Nitrile (NBR) or Fluorinated rubber (FPM).
- F. Rotating seal ring of Silicon Carbide.

Ordering

Please state the following when ordering:

- Pump size.
- Connections.
- Impeller diameter.
- Motor size.
- Voltage and frequency.
- Flow, pressure and temperature.
- Density and viscosity of the product.
- Options.

Note!

For further details, see also ESE00887.

This product has EHEDG certification

ESE00886EN 1006

The information contained herein is correct at the time of issue,
but may be subject to change without prior notice.

How to contact Alfa Laval

Contact details for all countries
are continually updated on our website.
Please visit www.alfalaval.com to
access the information direct.